

REASSEMBLY

1. INSTALL BEARING

- (a) Using SST and a press, install a new bearing to the axle carrier.

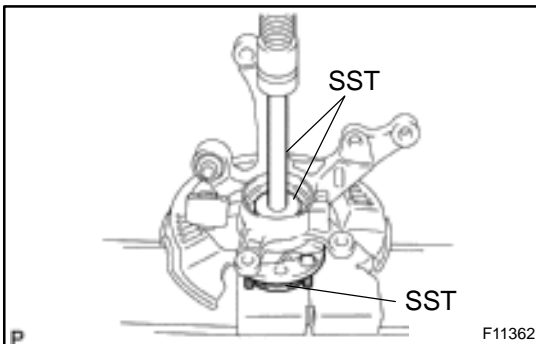
SST 09950-60020 (09951-00730),
09950-70010 (09951-07150)

- (b) Using snap ring pliers, install a new snap ring.

2. INSTALL DUST COVER

Install the dust cover with the 3 bolts.

Torque: 8.3 N·m (85 kgf·cm, 74 in.-lbf)



3. INSTALL AXLE HUB

Using SST and a press, install the axle hub.

SST 09608-32010, 09950-60010 (09951-00550)
09950-70010 (09951-07150)